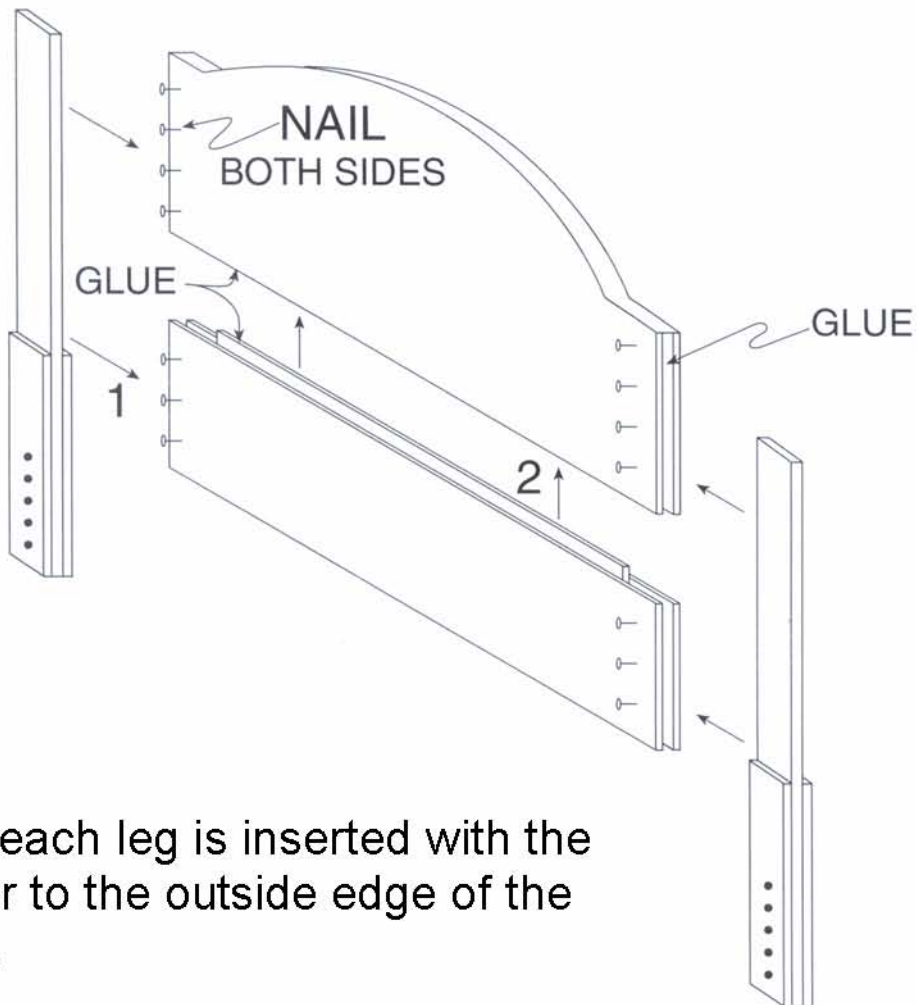


# Ready to Cover

## HEAD BOARD ASSEMBLY

- 1 - GLUE AND SLIDE LEGS INTO FILLER PIECE
- 2 - GLUE AND SLIDE INTO HEAD BOARD
- 3 - ALIGN AND NAIL



### NOTE:

Make sure each leg is inserted with the holes closer to the outside edge of the headboard.